

Documentation Power supply

Single-phase AC/DC power supply
12 VDC

Art.no: **1200-2809**

Type:
LOT-2012

Non-stabilized, unsmoothed AC/DC power supply for 12VDC

Primary voltage: 0-220-230 VAC

Frequency: 50-60 Hz

Secondary voltage: 80% load 12 VDC

Secondary current: 20 A

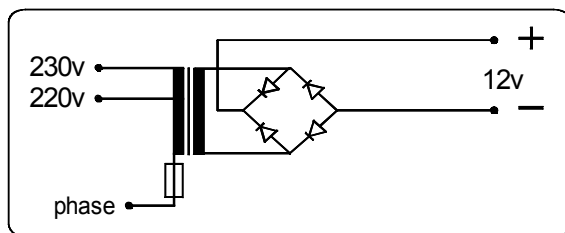
ta: 40°C (maximum ambient temperature)

Losses: Po 12 W , PI 55 W

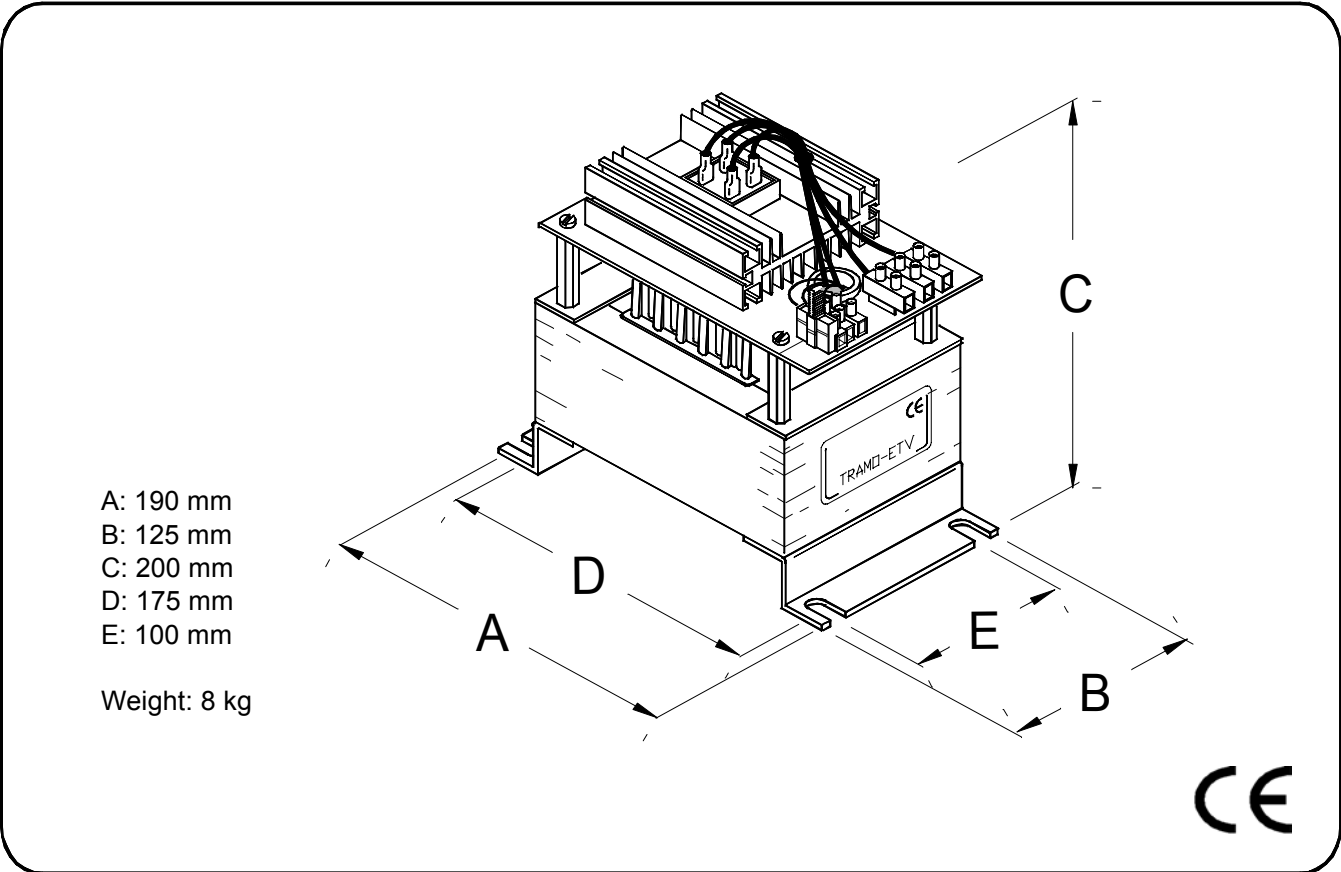
Used components are UL-approved

Standards: EN 61558-2-6, EN 50081-2, EN 50082-2

Connecting diagram



Manufactured by TRAMO-ETV AB , SE-241 92 ESLÖV



- A: 190 mm
- B: 125 mm
- C: 200 mm
- D: 175 mm
- E: 100 mm

Weight: 8 kg

